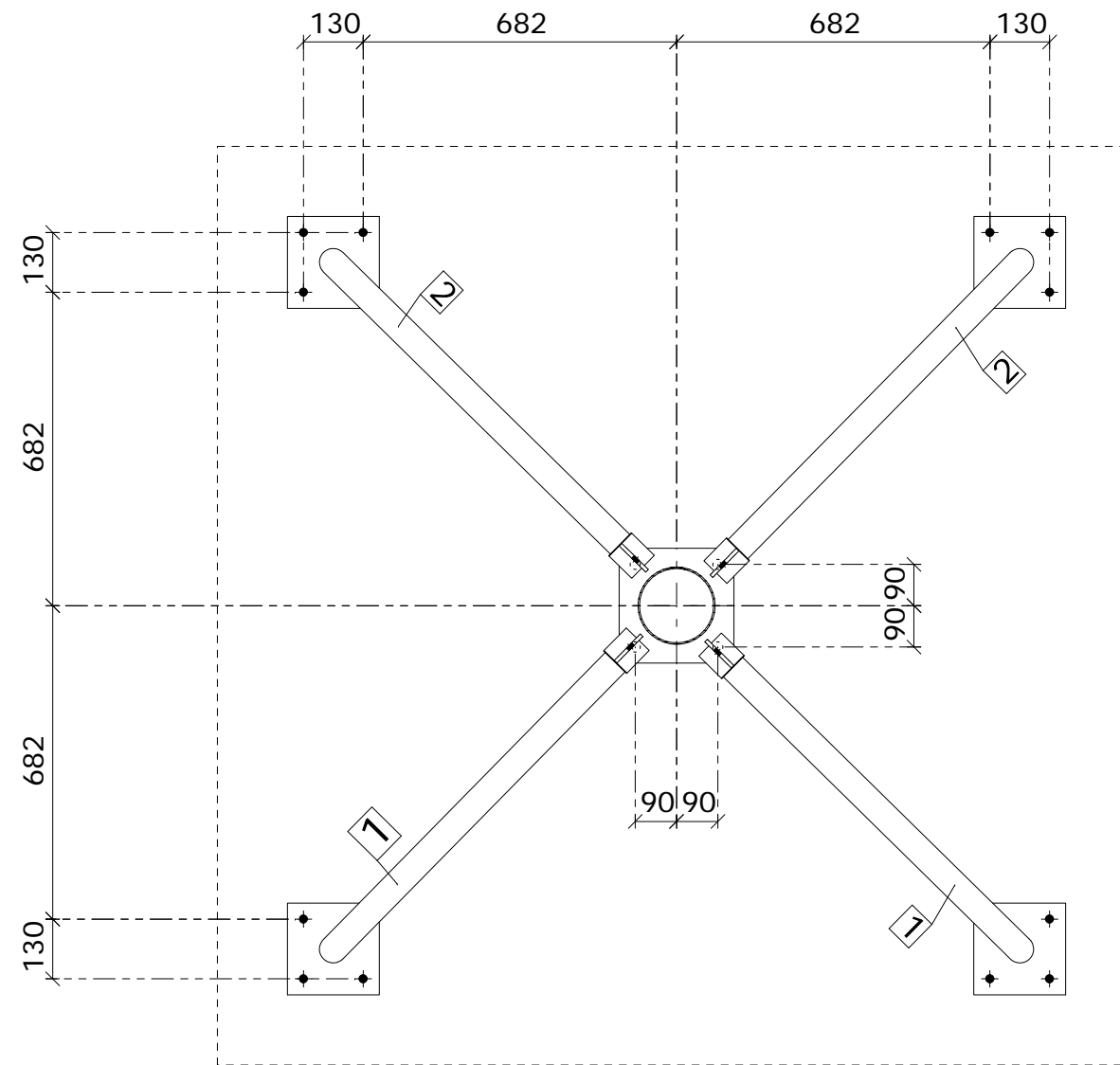


3-D VIEW



PLAN VIEW



- NOTES:
1. ALL HORIZONTAL MEMBERS ARE MARKED ON "TOP" FACE OF NORTH OR WEST END
 2. * DENOTES MARKS ARE ON THE "TOP" FACE OF SOUTH OR EAST END
 3. ALL PFC'S, FRAMES, HORIZ/VERT BRACING TO BE ERECTED WITH DIRECTION OF LEGS AS INDICATED ON PLANS OR ELEVATIONS.
 4. ALL STAIRS ARE MARKED AT TOP END.
 5. ALL COLUMNS ARE MARKED ON NORTH OR WEST FLANGE AT BASE END.
 6. ALL FIN PLATES ARE ON THE NORTH AND WEST FACE OF CONNECTING BEAM U.O.N

		E		
		D		
		C		
		B		
		A		
	MARKING PLAN			
	ENGINEERING DWG			
DRG No.	REFERENCE DRAWINGS	REV	DATE	AMENDMENT

CLIENT			

One Cad Pty Ltd

ACN 115921876 PAUL 0478 630 510

DRN	CHK	DATE	SCALE	SHEET
OC			NTS	A1

PROJECT			
BARDI WASTEWATER TREATMENT UPGRADE DISCHARGE STANDPIPE			
JOB NO.			
DRG NO.		REV	